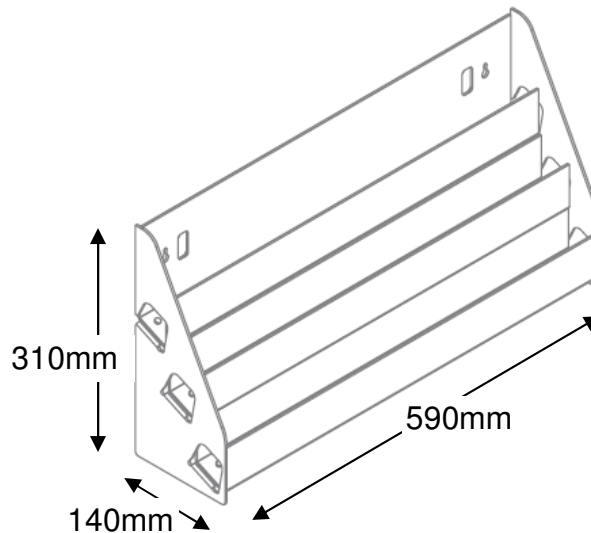
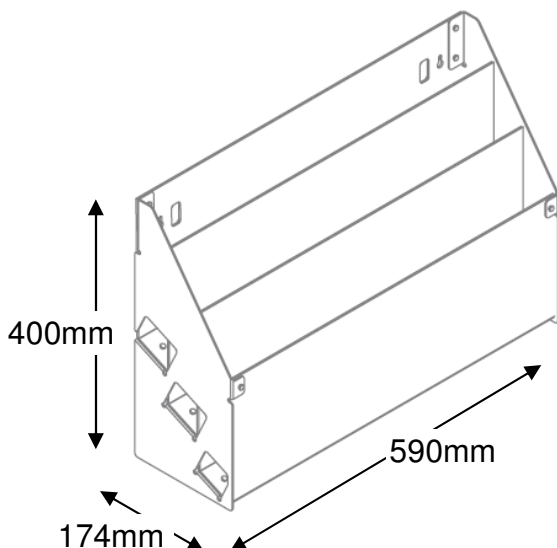


Card & Magazine Stands



Card Stand: Great for displaying greeting or post cards that are not necessarily all the same size. The 3-tier, clear acrylic unit is fully collapsible for easy transport and/or storage. The stand also has holes at the back to allow for wall mounting.

Over-All Dimensions: 590mmW x 310mmH x 140mmD
Internal Pocket Depth: 40mm
Front Lip: 60mm High
\$108.70 ea (IPD-36)



Magazine Rack: 3-tier, clear acrylic rack which is fully Collapsible for easy storage/transport. Very useful for displaying more than one company brochure at trade shows or for neat storage and display of magazines in waiting rooms. As with the card stand, the unit is easily wall mounted thanks to the holes provided.

Over-All Dimensions: 590mmW x 400mmH x 174mmD
Internal Pocket Depth: 50mm
Front Lip: 190mm High
\$165.50 ea (IPD-39)